

MGB-H-AA1A1-R-100464 (Order no. 100464)

Handle module MGB-H-...

- ▶ Intelligent bolt tongue
- ▶ Lockout mechanism
- ▶ Door handle



Bolt tongue

The bolt tongue is safely detected by a transponder as soon as it is inserted into the evaluation module.

Lockout mechanism

The bolt tongue can be blocked for cleaning and service with max. 3 locks.

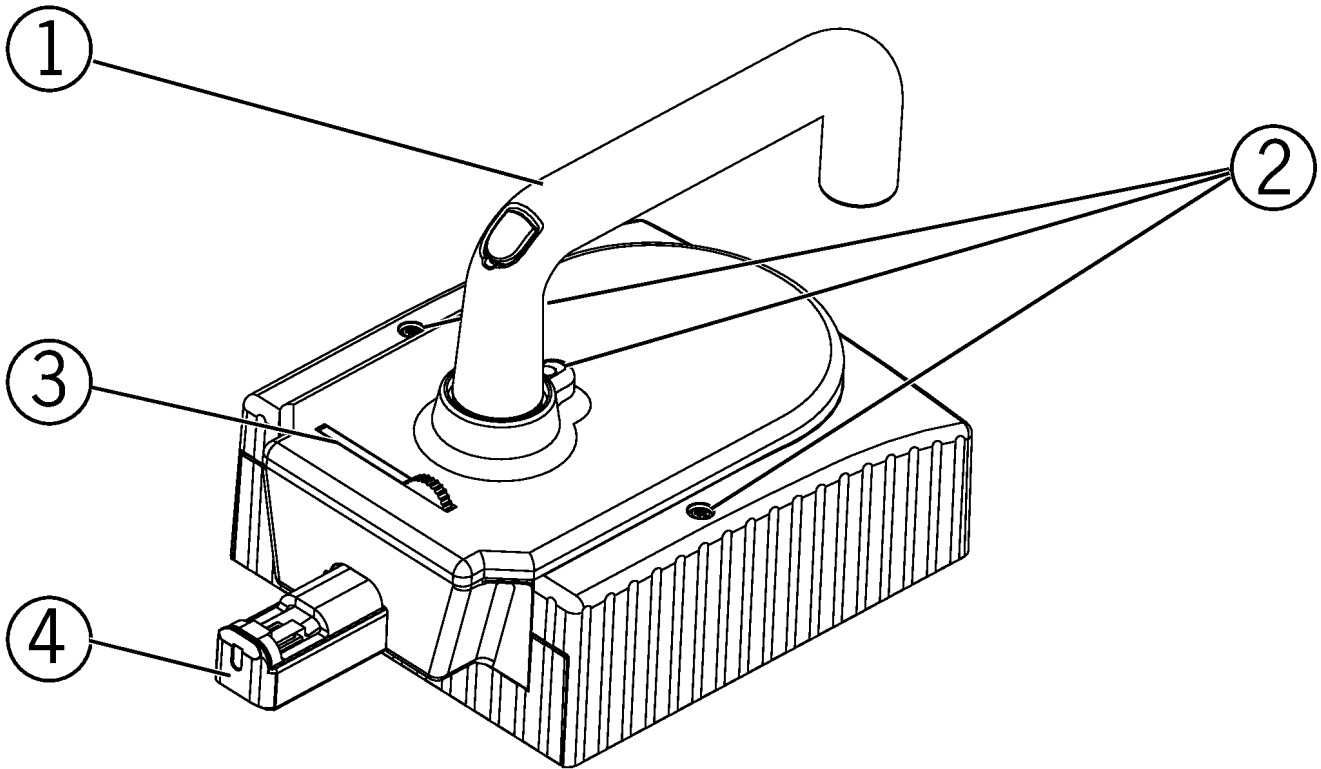
Door handle

The MGB has a robust door handle that can be rotated in 90° steps to suit all installations. The actuating direction can be changed for left or right hinged doors.

Door knob

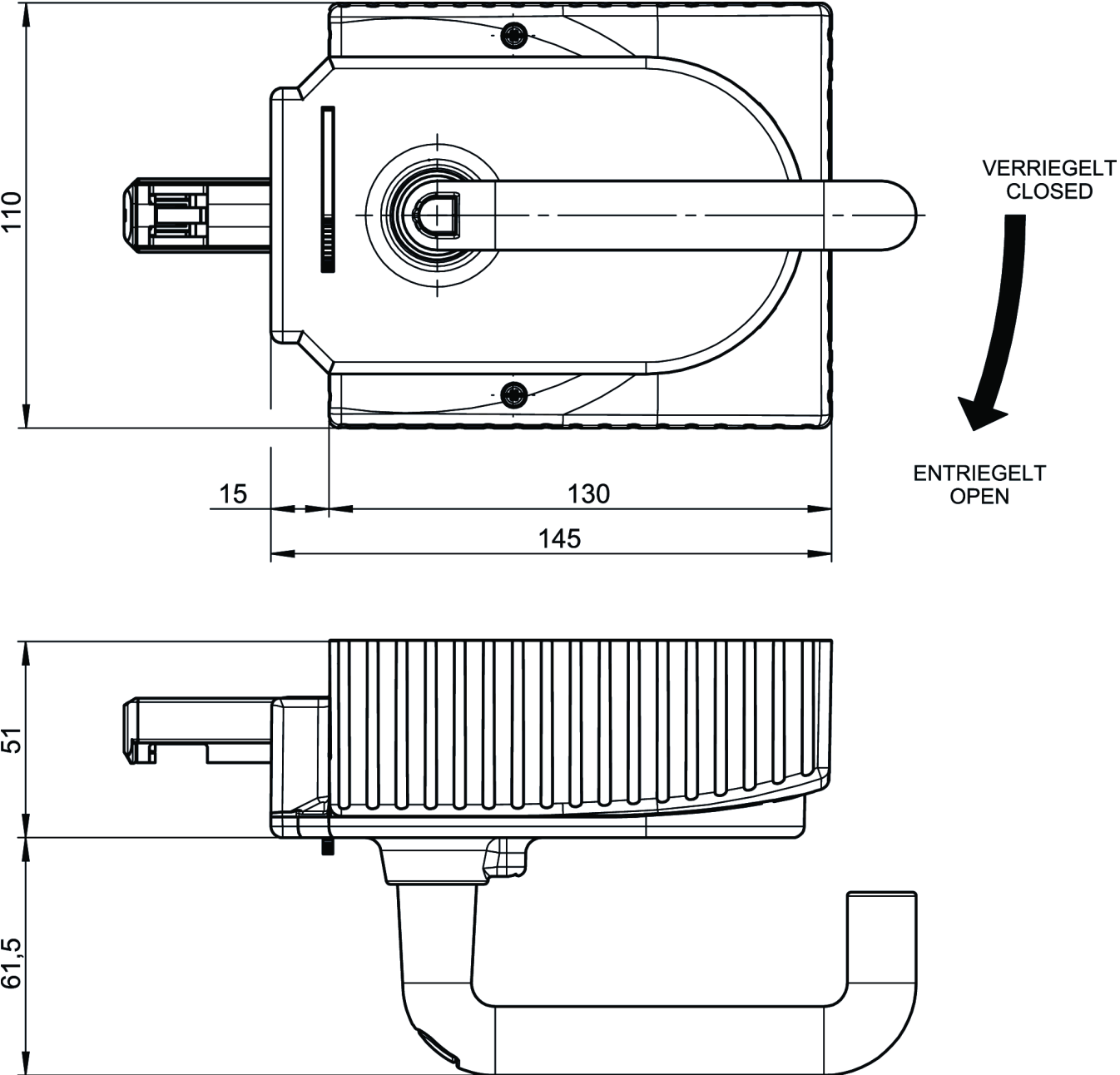
As an alternative to the door handle, the handle module can also be equipped with a door knob.

Dimensional drawings



- 1 Door handle
- 2 Locking pins for housing cover and handle adjustment
- 3 Lockout mechanism
- 4 Bolt tongue

Dimensional drawings



Technical data

Mechanical values and environment

Installation orientation	Door hinge DIN right
Degree of protection	IP65
Ambient temperature	-20 ... +55 °C
Material	
	Housing Fiber glass reinforced plastic, nickel-plated die-cast zinc, stainless steel

Miscellaneous

Product version number	V3.0.0
------------------------	--------

Downloads

All documentation for this material can be found on our website:

<https://www.euchner.de/en-us/a/100464/?#downloads-tab>

Ordering data

Ordernumber	100464
Item designation	MGB-H-AA1A1-R-100464
Gross weight	1,082kg
European Article Number (EAN)	4047048005792
Customs tariff number	85389099990
ECLASS	27-27-24-04 Actuator for safety-related proximity switch

Accessories

Function expansion

Door handle for MGB-H...



123926

MGB-A-DOORHANDLE-S2-123926

- ▶ Aluminum, silver anodized
- ▶ for mounting on all MGB handle modules MGB-H from V3.0.0

Door knob for MGB-H...



124030

MGB-A-DOORKNOB-S2-124030

- ▶ Aluminum, silver anodized
- ▶ for mounting on all MGB handle modules MGB-H... from V3.0.0
- ▶ e.g. on sliding doors

Mounting accessories

Mounting plate for all MGB handle modules



109491

MGB-A-MOUNTINGPLATE-H-109491

- ▶ Easy and quick mounting (only two screws required)
- ▶ Quick module replacement
- ▶ Steel, powder coated
- ▶ Suitable for doors hinged on the right and left